

LF24C8200S □

36" French 4-Door Counter-Depth Refrigerator with Ice Maker

★★★★★ (0) [Write a review](#)

Key Features

- Large Capacity
- Counter-Depth
- Flat Panel Door Design with Pocket Handles

More ▾



Factory Model Suffix	GC-B24FFSTB.ASTCNA0	
Sales Model Suffix	LF24C8200S.ASTCNA0	
Customer Model	LF24C8200S	
Model Description	4D F/D Swing	
Producing Center	LGETR	
Sales Nation	Canada	
ThinQ Type	TQ-WIFI	
UP Appliance	UP	
BASIC SPEC	Product Type	Multi Door
	Standard/Counter Depth	Counter Depth
	ENERGY CONSUMPTION GRADE	ENERGY STAR
	Brand	LG
CAPACITY	Total Capacity (cu.ft)	23.48
DIMENSIONS & WEIGHT	Height to Top of Hinge or Door Cap Deco (inch)	70"
	Height to Top of Case (inch)	69"
	Installation Clearance	4/8"
	Product Weight (lb.)	0.27
	Gross Weight (lb.)	0.29
	Depth without door (inch)	26"
	Depth with handle (inch)	28 3/4"
	Total Depth with Door 90 Open (inch)	43 1/2"
	Packing Dimension (WxHxD, inch)	38" x 74" x 30"
	Depth without handle (inch)	28 3/4"
	Product Dimension (WxHxD, inch)	36" x 70" x 28"
	Width door open 90 with Handle (inch)	36"
	Width door open 90 without Handle (inch)	36"
CONTROL & DISPLAY	Internal LED Display	Yes [Inner Top Display]
	Door alarm	Yes
	Express Freeze	Yes

MATERIAL & FINISH	Finish (Door)	Stainless Steel
	Handle Type	No
	Flat Metal Duct (Metal Fresh)	R Metal
	Fingerprint & Smudge Resistant Exterior	No
ICE & WATER SYSTEM	Ice & Water Dispenser	No
	Water Filtration System	No
	Water Filter Model Name	No
	Dual Ice Maker	No
	Dispenser Light	No
	Automatic Ice Maker	No
	Ice Storage Capacity (lb.)	N/A
	Daily Ice Production (lb.)	N/A
	Ice Maker_Manual	Normal Ice Tray
FEATURES	Door Cooling+	No
	Door-in-Door	No
	InstaView	No
	Sabbath Mode	No
	Auto Closing Door Hinge	No
PERFORMANCE	Energy Consumption (kWh/year)	438
	Compressor Type	Smart Inverter Compressor (BLDC)
SMART TECHNOLOGY	ThinQ (Wi-Fi)	Yes
	Smart Learner Ver.	Ver1.0
	Smart Diagnosis	Yes
	Bluetooth Speaker	No
REFRIGERATOR COMPARTMENT	Refrigerator Light	Top LED
	Shelf_Tempered Glass	4
	Shelf_Folding	No
	Door Basket_Transparent	6
	Door Basket_Moving Basket	No
	Vegetable Box	Yes (2)
	Extra Space	No
FREEZER COMPARTMENT	Door Type	Side Swing
	Freezer Light	Top LED
	Shelf_Tempered Glass	No
	Drawer_Freezer	6 Transparent
BAR CODE	Bar Code	195174109830

LREL6321S

6.3 cu. ft. Smart Wi-Fi Enabled Electric Range with EasyClean®

6.3 cu. ft. Large Capacity

EasyClean®

LG ThinQ® App with ThinQ Care

AVAILABLE COLORS



STAINLESS STEEL

Proactive Smart Alerts to Keep Your Appliances Running Smoothly

ThinQ Care

- Preventative Alerts help you stay a step ahead of potential issues to find proactive solutions before problems arise.
- Avoid preventable repairs and service calls with real-time diagnostics for a hassle-free experience.
- Integrated within LG's ThinQ app—a smart home hub for managing your smart devices and appliances.



SUMMARY		OVEN		POWER/RATINGS	
Cooktop Type	Radiant, Ceramic Glass	Oven Type	Single Oven	Amp Rating at 208V	47.3
Number of Cooktop Burners	5	Oven Cooking System	Traditional	Amp Rating at 240V	54.6
Oven Type	Single Oven	Oven Cleaning Type	EasyClean®	KW Rating at 208V	9.8
Oven Cooking System	Traditional	Oven Capacity (cu. ft.)	6.3	KW Rating at 240V	13.1
Oven Capacity (cu. ft.)	6.3	Broiler Element Power	4200W	Required Power Supply Amp	40
Oven Cleaning Type	EasyClean®	Bake Element Power	3400W	DIMENSIONS & WEIGHT	
Drawer Type	Storage	Hidden Bake Element	Yes	Cabinet Width (in.)	30"
Size in Width (in.)	30"	Number of Rack Positions	7	Overall Depth (in.) - Including Handle	28 7/8"
APPEARANCE		Number of Oven Racks	2	Overall Height (in.)	46 1/2"
Color	Stainless Steel	Oven Rack Type	2 Standard	Overall Width (in.)	29 7/8"
Control Type	Touchpad	Drawer Type	Storage	Product Weight (lb)	157
Knobs	Stainless Steel Appearance	Oven Modes	Bake, Broil, Easy Clean, Warm	Shipping Weight (lb)	181
Oven Door Feature	WideView™ Window	Oven Light Type	Halogen	Shipping Dimensions (W x H x D) (in.)	32 1/2" x 51" x 30 1/2"
Cooktop Finish	Ceramic Glass, Porcelain Enamel	CONTROL FEATURES		POWER/RATINGS	
COOKTOP		Kitchen Timer	Yes	Amp Rating at 208V	47.3A
Cooktop Type	Radiant, Ceramic Glass	Timed Cook	Yes	Amp Rating at 240V	54.6A
Number of Cooktop Burners	5	Oven Control Lock	Yes	KW Rating at 208V	9.8kW
Element/Burner - Left Front	9" / 6" Dual, 3200W UltraHeat™	Sabbath Mode	Yes	KW Rating at 240V	13.1kW
Element/Burner - Left Rear	6" Single, 1200W	SMART FEATURES		Required Power Supply (amp)	40A
Element/Burner - Right Front	9" / 6" Dual, 3200W UltraHeat™	Wi-Fi	Yes	UPC CODES	
Element/Burner - Right Rear	6" Single, 1200W	ThinQ Care	Yes	LREL6321S (Stainless Steel) 048231341417	
Element/Burner - Center	7" Single, 100W Warming Zone	Smart Diagnosis™	Yes		
Hot Surface Indicator Light	Yes	Works with	LG ThinQ® Amazon Alexa Google Assistant SIDECHIEF		

LG DISHWASHERS

LDFC2423

Front Control Dishwasher with SenseClean™

NeveRust™ Stainless Steel Tub

Dynamic Dry

AutoLeak Protection

Direct Drive Motor with 10-Year Limited Warranty

ENERGY STAR® Most Efficient 2023

AVAILABLE COLOURS



CAPACITY	
Total Place Settings	15
Upper Rack Dish Height Limit	9"
Lower Rack Dish Height Limit	12.5"
RACKS AND BASKETS	
Cutlery Baskets	Yes
Fold Down Tines	Yes (Half on Upper & Half on Lower)
BPA-Free Nylon Coated Racks and Tines	Yes
EasyRack™ Plus System	Yes
Height Adjustable	Manual
STYLE AND DESIGN	
Control Panel Location	Front Control
Control Panel Material	ABS
Touch Control	Yes
Tub Material	NeveRust™ Stainless Steel
Handle	Pocket Handle
All Available Colors	Platinum Silver, White
FEATURES	
Spray Arm	Yes
SenseClean™ Wash System	Yes
Vario Wash	Yes
Number of Spray Arms	3 (Top, Upper, Lower)
Detergent and Rinse-Aid Dispenser	Yes
Drying System	Dynamic Dry
Number of Wash Cycles	5 (Auto, Heavy, Normal, Turbo, Machine Clean)
Number of Options	6 (Flex Zone, High Temp, Extra Dry, Delay Start (Up to 12 Hours), Control Lock, Night Dry)
End of Cycle Indicator	Yes (Beeper + END indication on display)
Hidden Water Heater	Yes
Safety Float Switch (Leaks)	Yes
Soil (Turbidity) Sensor	Yes
DirectDrive Motor™	Yes

LoDecibel™ Quiet Operation	52 dBA
Tub Insulation	Yes (Damping Sheet, Sound Absorbing Material (felt), Base)
BPA-Free Nylon Coated Racks and Tines	Yes
Anti-Bacterial Treatment (Drain hose)	Yes
Balanced Door	Yes
POWER RATINGS	
ENERGY STAR® Qualified	Yes
ENERGY STAR Most Efficient 2023	Yes
CEE Tier	1
Energy Use (kWh/Year)	238 kWh/Year
Water Use (Gallons/Cycle)	2.9
DIMENSIONS / CLEARANCES / WEIGHT	
Product Dimensions (in) (W x H x D)	23 3/4" x 33 5/8" x 24 5/8"
Min Height (Unit Dimensions)	33 5/8"
Max Height (Unit Dimensions)	36"
Product Weight	75.61 lbs.
Depth with Door Open (in)	49 1/4"
Water Connection (in)	90° 3/8" Compression Installed at Factory
Drain Hose End Sizes (in)	5/8" or 3/4" or 1"
Carton Dimensions (in) (W x H x D)	28 1/32" x 34 7/8" x 29 5/8"
Shipping Weight with Carton	88.8 lbs.
LIMITED WARRANTY	
Labor & Parts	1 Year
Control Board and Rack Parts	2 Years
Stainless Steel Door Liner or Tub	2 Years
Direct Drive Motor	10 Years
UPC CODES	
LDFC2423V (Platinum Silver)	772454075858
LDFC2423W (White)	772454075841

LG COOKING

MVEM1825

1.8 cu. ft. Wi-Fi Enabled Over-the-Range Microwave Oven with EasyClean®

1.8 cu. ft. Oven Capacity

ThinQ® App with Scan-to-Cook & Auto Sync to Smart LG Ranges

Sensor Cook

EasyClean® Interior

SmoothTouch™ Glass Controls

300 CFM Exhaust

AVAILABLE COLORS



PRINTPROOF™ STAINLESS STEEL



PRINTPROOF™ BLACK STAINLESS STEEL



Enjoy new ways to control your home with LG smart appliances

LG ThinQ®

- Install Setup Quick Check
- Preventative Alerts & Guidance
- Performance & Usage Reports



works with the
Google Assistant



WORKS WITH
alexa

CAPACITY

Oven Capacity (cu.ft.) 1.8

FEATURES

Microwave Power Output (Watts) 1,000
 Exterior Design WideView™ Window
 Control Type SmoothTouch™ Glass Controls
 Control Location Right Side
 Display White LED

COOKING FEATURES

Sensor Cook Yes
 Power Levels 10
 Defrost Auto / Time / Rapid Defrost
 Sensor Reheat Yes
 Auto Cook Options 3 (Defrost, Soften, Melt)
 Add 30 Seconds Yes

CONVENIENCE FEATURES

Wi-Fi Connect (works with ThinQ®) Yes
 EasyClean® Interior Yes
 Turntable Diameter (inches) 12.6"
 Clock Yes
 Kitchen Timer Yes
 Completion Beeper Yes
 Turntable On/Off Yes
 Add 30 Second Yes

LIGHTING

Exterior Lighting Halogen
 Interior Lighting LED Lighting

SAFETY FEATURES

Child Lock Yes

VENTING SYSTEM

Filtration Charcoal Filter
 Exhaust Grease Filter 2
 Power Levels 2
 Vent Grille Type Hidden
 Vent Air Flow (CFM) 300

MATERIALS/FINISHES

All Available Colors PrintProof™ Stainless Steel
 PrintProof™ Black Stainless Steel
 PrintProof™ Finish Yes
 Interior Color Gray

DIMENSIONS & WEIGHT

Cavity (WxHxD) 20 11/16" x 10 6/16" x 14 3/16"
 Exterior (WxHxD) 29 14/16" x 16 7/16" x 15 6/16"
 Product Weight (lbs) 47.6
 Shipping Weight (lbs) 60.8
 Shipping Dimensions (WxHxD) 33 9/16" x 20 1/16" x 19 7/16"

POWER/RATINGS

Volts 120 / 60
 Amps / Watts 14A / 1600W

LIMITED WARRANTY

Parts and Labor 1 Year
 Magnetron 10 Years

UPC CODES

MVEM1825F (PrintProof™ Stainless Steel) 048231342063
 MVEM1825D (PrintProof™ Black Stainless Steel) 048231342070

WM3400CW

4.5 cu.ft. Front Load Washer

- 4.5 cu.ft. Capacity
- 6Motion™ Technology
- ColdWash™ Technology
- Direct Drive Motor 10-Year Limited Warranty
- ENERGY STAR® Certified
- LG SideKick™ Compatible
- Closet Depth
- NeverRust™ Stainless Steel Tub



AVAILABLE COLORS



WHITE



SUMMARY		FABRIC CARE FEATURES		POWER SOURCE	
Series	LG	ColdWash™ Option	Yes	Ratings	UL Listed
Type	Front Load Washer	SenseClean™ System	Yes	Electrical Requirements	120V, 10 Amps
Capacity (cu.ft.)	4.5 cu. ft.	CONVENIENCE FEATURES		Type	Electric
Matching Electric Dryer	DLE3400W	TrueBalance™ Anti-Vibration System	Yes	OPTIONS/ACCESSORIES	
Matching Gas Dryer	DLG3401W	4 Tray Dispenser	Prewash, Main Wash (with liquid detergent cup), Bleach, Fabric Softener	Pedestal	WDP4W
Color	White (W)	LoDecibel™ Quiet Operation	Yes	Pedestal (WxHxD)	27 x 14 1/8 x 30 3/4 (50 9/16 D with door open)
APPEARANCE		End of Cycle Signal	Yes	LG Sidekick™ Pedestal Washer	WD100CW
Hard Buttons	Yes	LoadSense	Yes	LG Sidekick™ Pedestal Washer (WxHxD)	27 x 14 1/8 x 30 3/4 (50 9/16 D with door open)
Touch Buttons	Yes	Child Lock*	Yes	Stacking Kit	KSTK1
Dial-A-Cycle™	Yes	Auto Suds Removal	Yes	DIMENSIONS	
ENERGY		Leveling Legs	4 Adjustable Legs	Product (WxHxD)	27" x 39" x 30 1/4"
ENERGY STAR® Qualified	Yes	Easy Loading TiITub™	Yes	Depth with Door Open	(55" D with door open)
CEE Tier	2	SmartDiagnosis™ (v3.0)	Yes	Carton (WxHxD)	29 23/32" x 41 27/32" x 31 17/32"
IMEF	2.92	Remote Start and Cycle Monitoring	Yes	Weight (Product/Carton)	187.4 / 209.8
IWF	2.9	MOTOR AND AGITATOR		LIMITED WARRANTY	
WASH PROGRAMS		Motor Type	Inverter Direct Drive Motor	Parts and Labor	1 Year
No. of Programs	8	Axis	Horizontal	Direct Drive Motor	10 Years
	Normal, Perm. Press, Heavy Duty, Delicates, Towels, Speed Wash, Bedding, Tub Clean	MATERIALS AND FINISHES		Drum	3 Years
WASH OPTIONS		NeveRust™ Stainless Steel Drum	Yes	UPC CODES	
No. of Options	6	Cabinet	PCM	WM3400CW (White)	048231027922
	Prewash, Delay Wash, Cold-Wash, ColdWash, Extra Rinse, Rinse+Spin, Child Lock*	Control Panel	Plastic	DLE3400W (White)	048231028035
WASH DETAILS		Top Plate	Painted	DLG3401W (White)	048231028042
No. of Wash/Rinse Temps	5	Door / Rim	Glass/White		
Wash/Rinse Temps	Hot, Warm, Semi Warm, Cold, Tap Cold	Door Cover	Clear Round Cover		
No. of Spin Speeds	3	All Available Colors	White (W)		
Spin Speeds	High, Medium, Low				
Max RPM	1300				
Water Levels	Load Sensing* *adjusted by sensor except during Speed Wash				
No. of Soil Levels	3				

7.4 cu. ft. Front Load Dryer

- 7.4 cu. ft. Ultra Large Capacity
- 8 Cycles / 7 Options
- Sensor Dry System
- FlowSense™ Duct Clogging and Lint Filter Indicators
- LoDecibel™ Quiet Operation
- SmartDiagnosis™



COLOR AVAILABILITY

- DLE3400W (Electric) – White
- DLG3401W (Gas) – White

CAPACITY & MATCHING WASHER

Capacity (cu. ft.)	7.4
Matching Washer	WM3400CW

APPEARANCE

Electronic Controls with LED Display	Yes
Touch Buttons	Yes
Dial-A-Cycle™	Yes

DRYER CYCLES

Number of Cycles	8
Sensor Dry Cycles	Normal, Heavy Duty, Bedding, Towels, Perm Press, Delicates
Manual Dry Cycles	Speed Dry, Air Dry

DRYER OPTIONS

Number of Options	7
Options	More Time, Less Time, Damp Dry Signal, Wrinkle Care, Control Lock, Energy Saver, Signal
Temperature Settings	High, Medium, Low
Drying Levels	Very Dry, More Dry, Normal Dry, Less Dry, Damp Dry
Manual Dry Times	60 min., 40 min., 20 min., More Time / Less Time

FABRIC CARE

Steam Technology	No
Sensor Dry	Yes
Precise Temperature Control with Variable Heater	Yes

CONVENIENCE

LoDecibel™ Quiet Operation	Yes
Drum Light	No
Child Lock	Yes
FlowSense™ Duct Clogging Indicator	Yes
End of Cycle Signal	Yes
Remaining Time Display / Status Indicator(s)	Yes
Reversible Door	Yes
Venting Option	Electric: 4 Way Venting Gas: 3 Way Venting
3 Minute Installation Check	Yes
Leveling Legs	4 Adjustable Legs
ADA Compliant	No

SMART FEATURES

Wi-Fi Enabled	No
ThinQ®	No
SmartDiagnosis™	Yes

MATERIALS AND FINISHES

Drum Material	Aluminized Alloy Steel
Door / Rim	Glass / White
Door Cover	Clear Round Cover

TECHNICAL SPECS

Electrical Requirements	Electric: 240V, 30 Amp Gas: 120V, 15 Amp
Gas Dryer BTU Rating	20,000 Feet
Power Outlet Location	Within 48" of Either Side
Plug Type	Gas: 3-Prong (Cord Attached to Unit) Electric: 4-Wire (Cord Required)
ENERGY STAR® Qualified	Yes
CEF	Electric: 3.94 Gas: 3.49

OPTIONAL ACCESSORIES

Pedestal	WDP4W
Pedestal (W x H x D)	27" x 13 5/8" x 28"
Short Pedestal	WDPS1W
Short Pedestal (W x H x D)	27" x 5 1/8" x 27"
Stacking Kit	KSTK1
Drying Rack	3750EL1001D
LP Conversion Kit	383EEL3002D
Side Vent Kit	3911EZ9131X (Replaces 383EEL9001B)

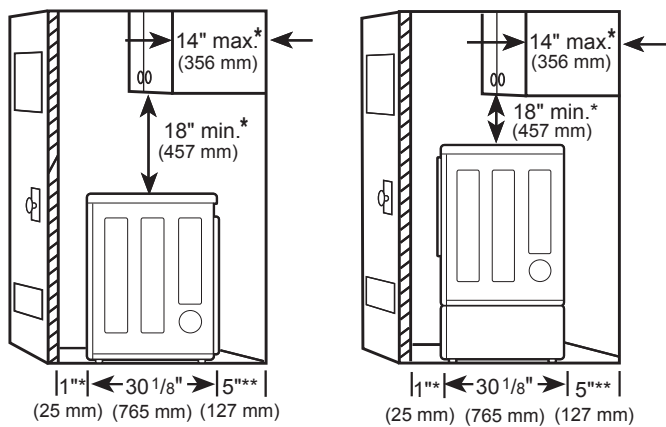
DIMENSIONS

Product (W x H x D)	27" x 38 11/16" x 30 1/8"
Depth with Door Open	51 3/8"
Cutout Dimensions (W x H x D)	29" x 38 11/16" x 35 1/8" (32 1/8" D for Side or Bottom Venting)
Carton Dimensions (W x H x D)	29 19/32" x 43 3/8" x 31 3/8"
Approx. Weight (Product / Carton)	Electric: 122 lbs. / 135.2 lbs. Gas: 124.7 lbs. / 137.9 lbs.

LIMITED WARRANTY

Parts and Labor	1 Year
Dryer Drum	10 Years (Parts Only)

DIMENSIONS / CLEARANCES



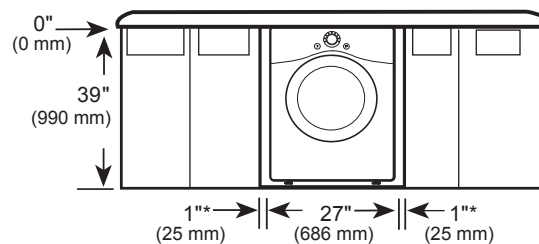
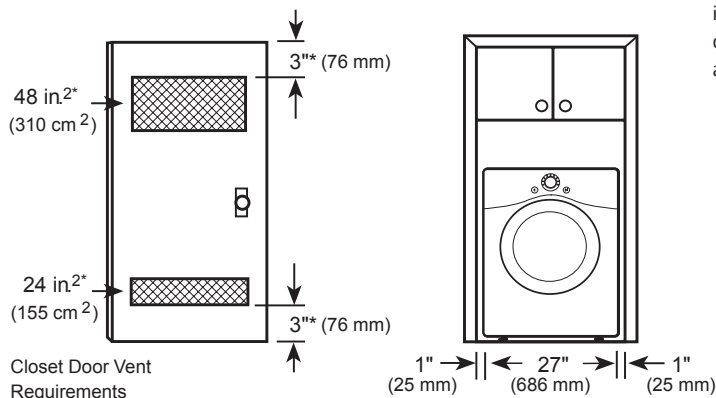
SPACING FOR RECESSED AREA OR CLOSET INSTALLATION

The following clearances are recommended for this dryer. This dryer has been tested for clearances of 1 inch (2.5 cm) on the sides and rear. Recommended clearances should be considered for the following reasons:

- Additional clearances should be considered for ease of installation and servicing.
- Additional clearances should be considered on all sides of the dryer to reduce noise transfer. For closet installation, with a door, minimum ventilation openings in the top and bottom of the door are required. Louvered doors with equivalent ventilation openings are acceptable.

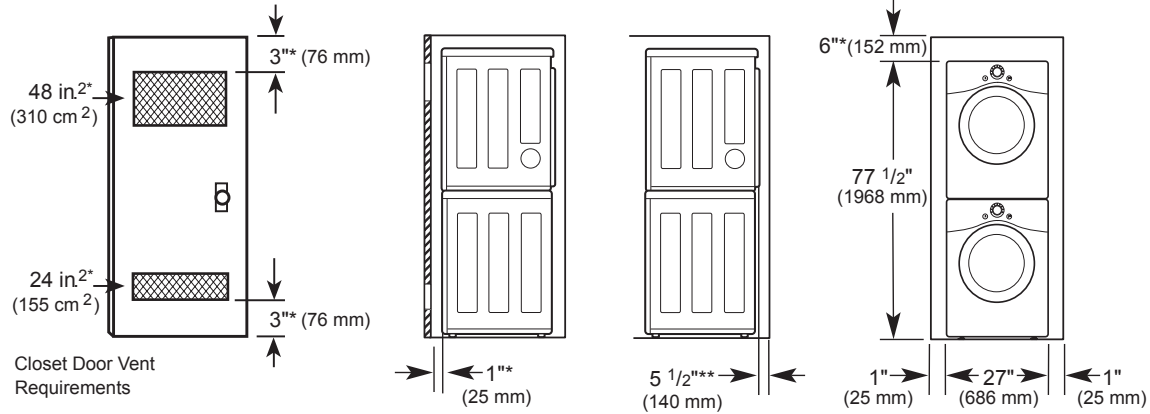
Closet Ventilation Requirements

Closets with doors must have both an upper and lower vent to prevent heat and moisture buildup in the closet. One upper vent opening with a minimum opening of 48 sq. in. (310 cm²) must be installed no lower than 6 feet above the floor. One lower vent opening with a minimum opening of 24 sq. in. (155 cm²) must be installed no more than one foot above the floor. Install vent grills in the door or cut down the door at the top and bottom to form openings. Louvered doors with equivalent ventilation openings are also acceptable.



DIMENSIONS / CLEARANCES

INSTALLATION SPACING FOR RECESSED AREA OR CLOSET, WITH STACKED WASHER AND DRYER

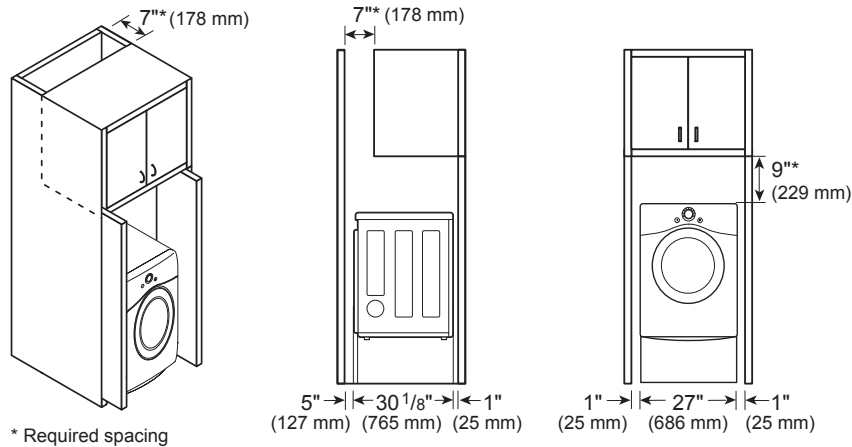


* Required spacing

** For side or bottom venting, 2-inch (51 mm) of spacing is allowed.

INSTALLATION SPACING FOR CABINET

For cabinet installation with a door, minimum ventilation openings in the top of the cabinet are required.



* Required spacing

VENTING THE DRYER

- If connecting to existing ductwork, make sure it is suitable and clean before installing the dryer.
- Venting must conform to local building codes.
- Gas dryers **MUST** exhaust to the outdoors.
- Use only 4-inch (10.2 cm) rigid, semi-rigid or flexible metal ductwork inside the dryer cabinet and for venting outside.
- The exhaust duct must be 4 inches (10.2 cm) in diameter with no obstructions. The exhaust duct should be kept as short as possible. Make sure to clean any old ducts before installing your new dryer.
- Rigid, semi-rigid or flexible metal ducting is recommended for use between the dryer and the wall. All non-rigid metal transition duct must be UL-listed. Use of other materials for transition duct could affect drying time.
- Ductwork is not provided with the dryer. You should obtain the necessary ductwork locally. The vent hood should have hinged dampers to prevent backdraft when the dryer is not in use.
- The total length of flexible metal duct must not exceed 8 ft. (2.4 m).

NOTE:

- Deduct 6 ft. (1.8 m) for each additional elbow. Do not use more than four 90° elbows.

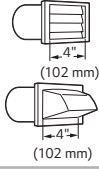
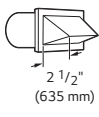
ROUTING AND CONNECTING DUCTWORK

NOTE:

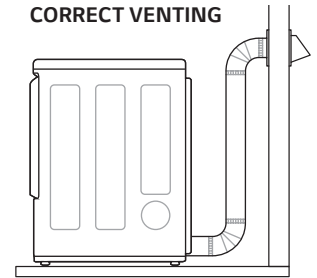
Follow the guidelines below to maximize drying performance and reduce lint buildup and condensation in the ductwork. Ductwork and fittings are **NOT** included and must be purchased separately.

- Use 4-inch (10.2 cm) diameter rigid, semi-rigid or flexible metal ductwork.
- The exhaust duct run should be as short as possible.
- Use as few elbow joints as possible.
- The male end of each section of exhaust duct must point away from the dryer.
- Use duct tape on all duct joints.
- Insulate ductwork that runs through unheated areas in order to reduce condensation and lint buildup on duct surfaces.
- Incorrect or inadequate exhaust systems are not covered by the dryer warranty. Dryer failures or service required because of such exhaust systems will not be covered by the dryer warranty.

DUCTWORK

Wall Cap Type	Number of 90° Elbows	Maximum length of 4-inch diameter rigid metal duct
 <p>Recommended</p>	0	65 ft. (19.8 m)
	1	55 ft. (16.8 m)
	2	47 ft. (14.3 m)
	3	36 ft. (11.0 m)
	4	28 ft. (8.5 m)
 <p>Use only for short run installations</p>	0	55 ft. (16.8 m)
	1	47 ft. (14.3 m)
	2	41 ft. (12.5 m)
	3	30 ft. (9.1 m)
	4	22 ft. (6.7 m)

CORRECT VENTING



CONNECTING GAS DRYERS

Gas Supply Requirements

- As shipped from the factory, this dryer is configured for use with natural gas (NG). It can be converted for use with propane (LP) gas. Gas pressure must not exceed 8-inch (20.4 cm) water column for NG, or 13-inch (33.1 cm) water column for LP.
- A qualified service or gas company technician must connect the dryer to the gas service.

Electrical Requirements for Gas Models Only

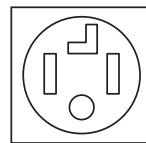
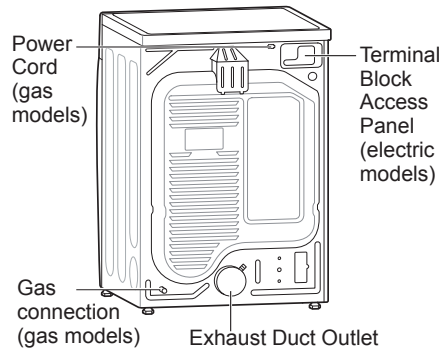
- This dryer must be plugged into a 120-VAC, 60-Hz. grounded outlet protected by a 15-ampere fuse or circuit breaker.
- This dryer is equipped with a three-prong grounding plug for protection against shock hazard and should be plugged directly into a properly grounded three-prong receptacle. Do not cut or remove the grounding prong from this plug.

CONNECTING ELECTRIC DRYERS

Electrical Requirements for Electric Models Only

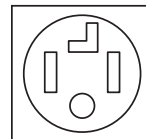
- This dryer must be connected to a grounded metal, permanent wiring system, or an equipment-grounding conductor must be run with the circuit conductors and connected to the equipment-grounding terminal or lead on the dryer.
- The dryer has its own terminal block that must be connected to a separate 240 VAC, 60-Hertz, single-phase circuit, fused at 30 amperes (the circuit must be fused on both sides of the line). **ELECTRICAL VOLTAGE LISTED ON THE NAMEPLATE. DO NOT CONNECT THE DRYER TO 110-, 115-, OR 120-VOLT CIRCUIT.**
- If the branch circuit to dryer is 15 ft. (4.5 m) or less in length, use UL (Underwriters Laboratories) listed No.-10 AWG wire (copper wire only), or as required by local codes. If over 15 ft. (4.5 m), use UL-listed No.-8 AWG wire (copper wire only), or as required by local codes. Allow sufficient slack in wiring so the dryer can be moved from its normal location when necessary.
- The power cord (pigtail) connection between the wall receptacle and the dryer terminal block IS NOT supplied with the dryer. Type of pigtail and gauge of wire must conform to local codes

ELECTRIC & GAS CONNECTION LOCATIONS



FOUR-WIRE POWER CORD

- A 4-wire connection is required for all mobile and manufactured home installations, as well as all new construction after January 1, 1996.
- A UL-listed strain relief is required.
- Use a 30-amp, 240-volt, 4-wire, UL-listed power cord with #10 AWG-minimum copper conductor and closed loop or forked terminals with upturned ends.



FOUR-WIRE DIRECT WIRE

- A 4-wire connection is required for all mobile and manufactured home installations, as well as all new construction after January 1, 1996.
- A UL-listed strain relief is required.
- Use UL-listed 4-wire #10 AWG minimum copper conductor cable. Allow at least 5 ft. (1.5 m) of wire to allow for removal and reinstallation of the dryer.