

# RF28T5A01SR

SAMSUNG

## 28.2 cu. ft. 3-Door French Door Refrigerator



### Signature Features

#### Large Capacity

- Stock-up all your food with a huge 28 cu. ft. of storage space. SpaceMax Technology™ creates more room inside without increasing external dimensions or compromising energy efficiency.

#### All-Around Cooling System

- Cools the entire fridge evenly from corner to corner.

#### Digital Inverter Compressor

- Automatically adjusts its speed in response to cooling demand across 7 levels. As a result, it's quieter and uses up to 50% less power.

#### Fingerprint Resistant Finish

- Avoid smudges with fingerprint resistant stainless steel.

#### Portable Tray

- Allows you to organize your food, like smaller sized fruits, inside your crisper.

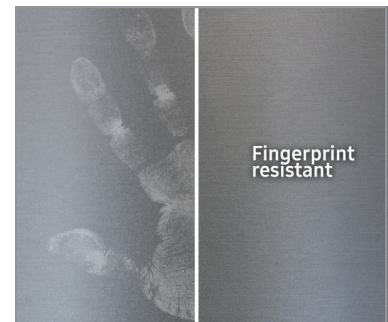
### Available Colour



Fingerprint Resistant  
Stainless Steel



Large Capacity



Fingerprint Resistant Finish

### Features

- Large Capacity - 28.2 cu. ft.
- All-Around Cooling
- Fingerprint Resistant Finish
- High Efficiency LED Lighting
- EZ-Open Handle™
- Adjustable Spill Proof Shelves

### Convenience

- Ice Maker
- Door Alarm
- Cool Tight Door
- Power Freeze
- Sabbath Mode

### Rating



ENERGY STAR® rated:  
CEE Tier1  
705 kWh/yr



ADA Compliant

# RF28T5A01SR

# SAMSUNG

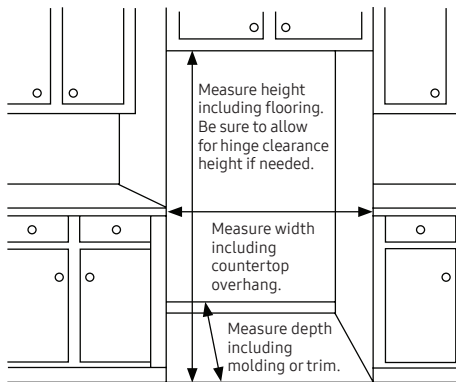
## 28.2 cu. ft. 3-Door French Door Refrigerator

### Installation Specifications

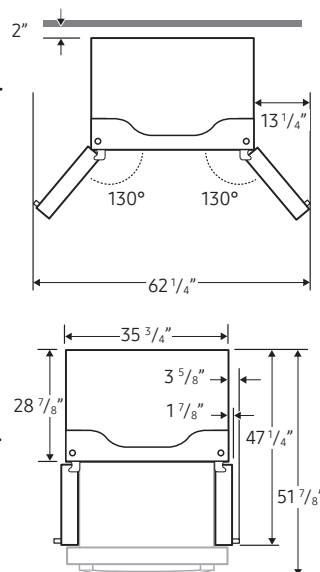
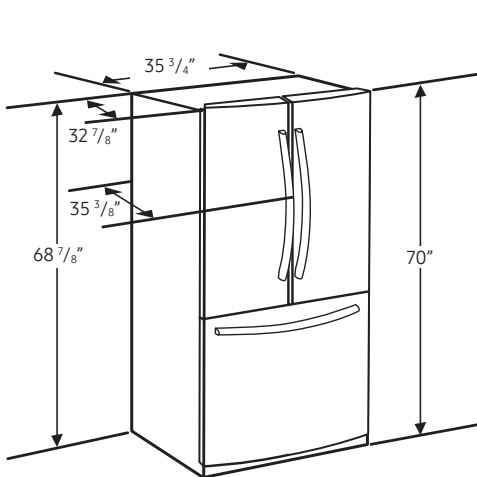
1. Measure the height, width and depth of the opening, making sure to include baseboards, molding tile, countertop overhang, etc. Check to be sure there is enough room to open the door (consider walls, islands or other obstacles when measuring).
2. Refer to illustration below to determine dimensions.
3. Allow 3.75" of clearance on hinge side of refrigerator when installing next to a wall where handle may make contact.
4. Allow 2" minimum clearance at rear for proper air circulation and water/electrical connections. Allow a 3/8" minimum clearance at sides and top for ease of installation.
5. Ensure each door and entryway in the home is wide enough for the refrigerator to be moved through easily.

For optimal usage and to be able to open refrigerator doors completely, do not install next to a wall.

Please note: The following dimension and cutout information is for planning purposes only. For complete installation details, consult manual packed with product, or download manual online at [samsung.com](http://samsung.com).



### Dimensions



**Total Capacity: 28.2 cu. ft.**

**Refrigerator: 19.6 cu. ft.**

- Full Width Drawer
- 5 Tempered Glass Spill-Proof Shelves
- 2 Humidity-Controlled Crispers
- 6 Door Bins
  - Right Door: 3 Gallon Bins
  - Left Door: 3 Regular Bins
- High Efficiency LED Lighting

**Freezer: 8.6 cu. ft.**

- EZ-Open Handle™
- 1 Large Opaque Bin with 1 Divider
- Auto Pull-Out Upper Drawer

### Warranty

One (1) Year Parts and Labour on Refrigerator  
Ten (10) Years Parts on Digital Inverter Compressor

### Product Dimensions & Weight (WxHxD)

Dimensions (WxHxD with hinges, handles and doors):

35 6/8" x 70" x 35 3/8"

Dimensions (WxHxD without hinges and door):

35 6/8" x 68 7/8" x 28 7/8"

Dimensions (WxHxD with hinge and door, no handle):

35 6/8" x 70" x 32 7/8"

Weight: 280 lbs (127 Kg)

### Shipping Dimensions & Weight (WxHxD)

Dimensions: 37 23/32" x 75 5/16" x 35 29/32"

Weight: 289 lbs (131 Kg)

### Colour

Fingerprint Resistant  
Stainless Steel

### Model #

RF28T5A01SR

### UPC Code

887276429458

# NE63A611SS

SAMSUNG

## 6.3 cu. ft. Freestanding Electric Range



### Signature Features

#### Wi-Fi Connectivity and Voice Control

Monitor and control the oven using the SmartThings App<sup>1</sup>. And control the oven with your voice using a voice assistant<sup>2</sup>, such as Samsung Bixby<sup>3</sup>, Amazon Alexa or Google Assistant.

#### 6.3 cu. ft. Capacity

Cook multiple dishes at once or accommodate larger items for the holidays.

#### Flexible Cooktop

Accommodates multiple pan sizes on 4 specialized elements with two dual elements.

#### Steam Clean

Steam clean heats the cavity to a high temperature to burn off grease and food residue.

### Available Colour



Stainless Steel



6.3 cu. ft. Capacity



Powerful/Flexible Cooktop

### Features

- Flexible Cooktop
  - Four Electric Elements
  - Two Dual Elements (6"/9") Rapid Boil
  - Two Single Elements (6")
- Wide View Window

- Hidden Bake Element
- Storage Drawer
- Sabbath Mode
- 2 Chrome Racks
- Flat Handle

### Convenience

- Wi-Fi Connectivity and Voice Control
- Delay Bake
- Hot Surface Indicator Light
- Auto Oven Light
- Kitchen Timer

<sup>1</sup>Available on Android and iOS devices. A Wi-Fi connection and a Samsung account are required.

<sup>2</sup>A Wi-Fi connection is required.

<sup>3</sup>Bixby is Samsung's brand of artificial intelligence (AI) / Internet of Things (IoT) voice assistant. A Samsung account is required.

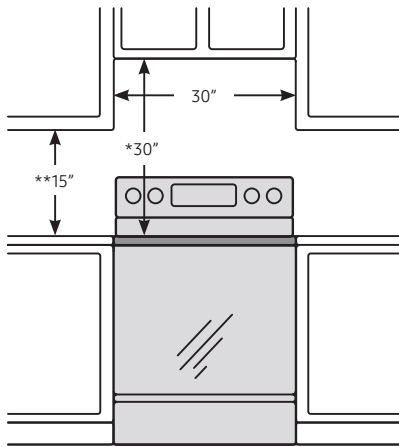
# NE63A611SS

SAMSUNG

## 6.3 cu. ft. Freestanding Electric Range

### Installation Specifications

**IMPORTANT:** To eliminate the risk of burns or fire caused by reaching over heated surface units, avoid having cabinet storage space located above the surface units. If you have cabinet storage space over the heating elements, you can reduce the risk by installing a range hood that projects horizontally a minimum of 5 inches beyond the bottom of the cabinets.



\* A minimum of 30" is required between the top of the cooking surface and the bottom of an unprotected wood or metal cabinet; a minimum of 24" is required if the bottom of the wood or metal cabinet is protected by not less than 1/4" of flame retardant millboard covered with not less than no.28 MSG of sheet steel, 0.015" of stainless steel, 0.024" of aluminum, or 0.020" of copper.

\*\* A minimum of 15" is required between the countertop and the adjacent cabinet bottom.

### Radiant Ceramic Cooktop

Right Front: 6"/9" Dual Element, 3300W

Left Front: 6"/9" Dual Element, 3300W

Right Rear: 6" Element, 1200W

Left Rear: 6" Element, 1200W

### Oven

Capacity: 6.3 cu. ft.

Hidden Bake Element: 2400W

Bake: 175°F–550°F

Broil: Low/High, 3400W

Sabbath Mode

### Storage Drawer

Capacity: 0.8 cu. ft.

### Warranty

One (1) Year Parts and Labour

### Product Dimensions & Weight (WxHxD)

Cavity Dimensions: 24<sup>13/16"</sup> x 22<sup>7/16"</sup> x 19<sup>3/4"</sup>

Net Dimensions: 29<sup>15/16"</sup> x 46<sup>5/16"</sup> - 47<sup>1/16"</sup> x 26<sup>7/16"</sup>

Weight: 130.7 lbs (59.3 Kg)

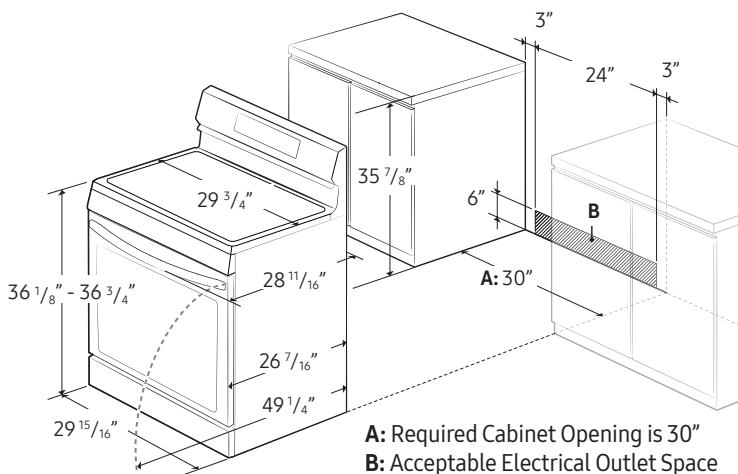
### Shipping Dimensions & Weight (WxHxD)

Dimensions: 33<sup>1/16"</sup> x 50<sup>9/16"</sup> x 30<sup>5/16"</sup>

Weight: 154.3 lbs (70 Kg)

### Dimensions

**CAUTION:** This range has been designed to comply with the maximum allowable wood cabinet temperature of 194 °F (90 °C). Make sure the wall covering, countertops, and cabinets around the range can withstand the heat (up to 194 °F [90 °C]) generated by the range. If not, discolouration, delamination, or melting may occur.



**A:** Required Cabinet Opening is 30"  
**B:** Acceptable Electrical Outlet Space

### Colour

Stainless Steel

### Model #

NE63A6111SS

### UPC Code

887276509365

Range Rating Watts		Specified Rating of Power-Supply-Cord Kit and Circuit Protection Amps	Diameter (inches) of Range Connection Opening		Plug Type	Power Cord Length
120/240 Volts 3-Wire	120/208 Volts 3-Wire		Power Cord	Conduit		
8750-16500	7801-12500	40 or 50 A	1 <sup>3/8"</sup>	1 <sup>1/8"</sup>	4 Prong	39.4"

A range cord rated at 40 amps with 125/250 minimum volt range is required. A 50 amp range cord is not recommended but if used, it should be marked for use with nominal 1<sup>3/8"</sup> diameter connection openings. Care should be taken to center the cable and strain relief within the knockout hole to keep the edge from damaging the cable.

# DW80R2031US

SAMSUNG

## Samsung Dishwasher with Integrated Digital Touch Controls



### Signature Features

#### Digital Touch Controls

Digital touch controls make it easy to select functions with a gentle touch.

#### Adjustable Rack

Height adjustable upper rack makes it easy to accommodate various dishware shapes and sizes.

#### Stainless Steel Door

The interior door is covered with stainless steel that's more durable.

#### Smart Leak Sensor

Helps to identify leaks as small as 2.4 ounces and shuts itself off before water can escape.

### Available Colour



Stainless Steel



Digital Touch Controls



Stainless Steel Interior Door

### Features

- Fully Integrated Top Control
- Advanced Wash System
- Touch Control
- 4 Wash Cycles
- 5 Options
- 14 Place Settings
- 55 dBA Noise Level

### Convenience

- Control Lock
- Delay Start
- Height-Adjustable Upper Rack
- Smart Leak Sensor

### Rating



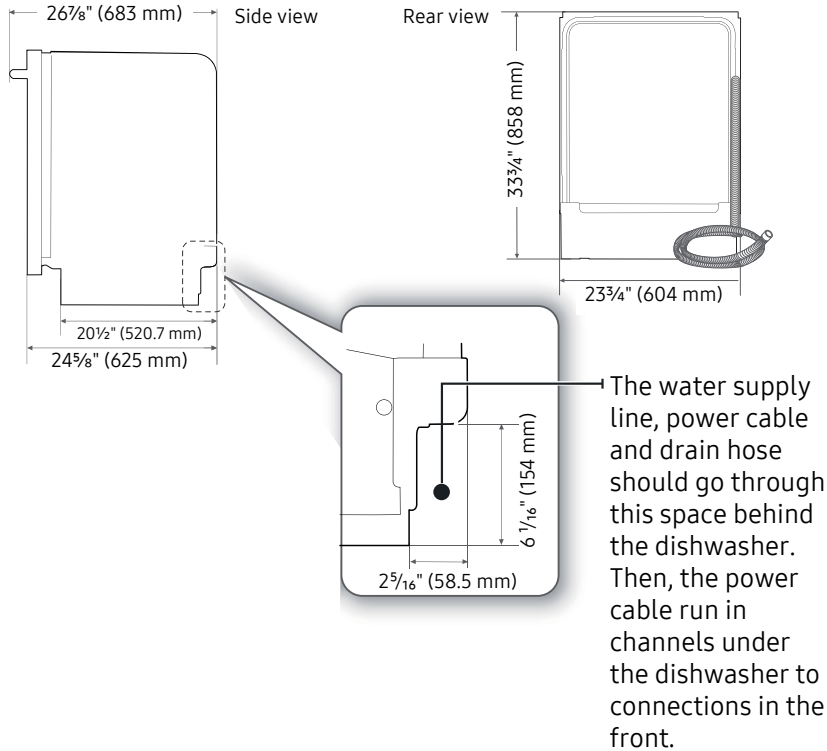
ENERGY STAR® - Rated 255 kwh/yr

# DW80R2031US

SAMSUNG

## Samsung Dishwasher with Integrated Digital Touch Controls

### Product Dimensions



### 4 Wash Cycles:

Auto, Normal, Heavy, Express 60

### 5 Options:

Hi-Temp Wash, Sanitize (Anti-Bacterial-NSF), Delay Start, Control Lock, Heated Dry

### Convenience:

- Control Lock
- Digital Water Leakage Sensor
- Height-Adjustable Upper Rack
- Polypropylene Racking
- Silverware Basket

### Warranty

One (1) Year All Parts and Labor  
Five (5) Year Limited on Printed Circuit Board

### Product Dimensions & Weight (WxHxD)

Dimensions: 23<sup>3</sup>/<sub>4</sub>" x 33<sup>3</sup>/<sub>4</sub>" x 24<sup>5</sup>/<sub>8</sub>"

Weight: 64 lbs

### Shipping Dimensions & Weight (WxHxD)

Dimensions: 26" x 35" x 29<sup>1</sup>/<sub>2</sub>"

Weight: 78.2641031 lbs

### Colour

Stainless Steel

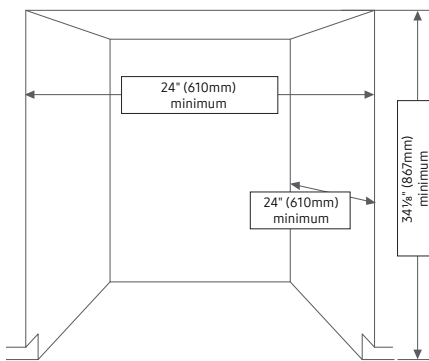
### Model #

DW80R2031US

### UPC Code

887276430164

### Enclosure Dimensions



This dishwasher is designed to be enclosed on the top and on both sides by a standard residential kitchen cabinet unit.

The installation enclosure must be clean and free of any obstructions.

The enclosure must be at least 24 inches wide, 24 inches deep and 34<sup>1</sup>/<sub>8</sub> inches high.

For the front door of the dishwasher to be flush with the leading edge of the counter top, the counter top must be at least 25 inches deep.

# ME17R7011ES

SAMSUNG

1.7 cu. ft. Over-the-Range Microwave



## Signature Features

### 1.7 cu. ft. Capacity

Accommodates a variety of snacks and meals. Enough room to accommodate everyday meals.

### 2-Speed/300 CFM Ventilation System

Powerful ventilation system that eliminates steam, fumes, and odour from the kitchen. Quiet system clears the air with 300 cubic feet per minute of turbo ventilation.

### LED Display

Striking ice blue LED display provides a stylish accent to enhance any kitchen interior. Time and setting are clearly visible for greater cooking convenience.

## Available Colours



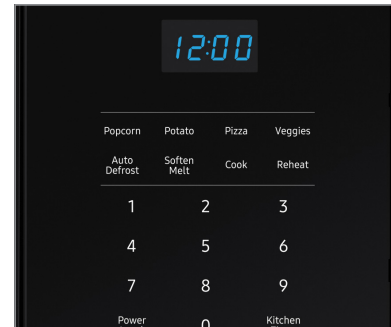
Stainless Steel



White



2-Speed/300 CFM Ventilation System



LED Display

## Features

- 1.7 cu. ft. Oven Capacity
- 2-Speed/300 CFM Ventilation
- System LED Display
- Cooking Presets
- Eco Mode

## Convenience

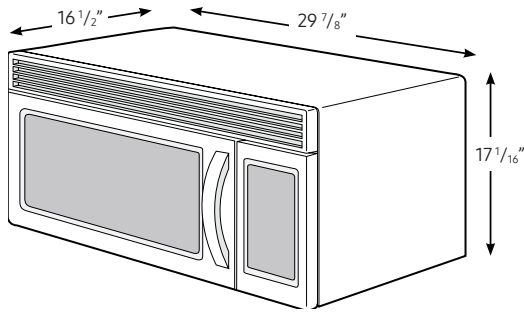
- Vent Fan Control: On/Off

# ME17R7011ES

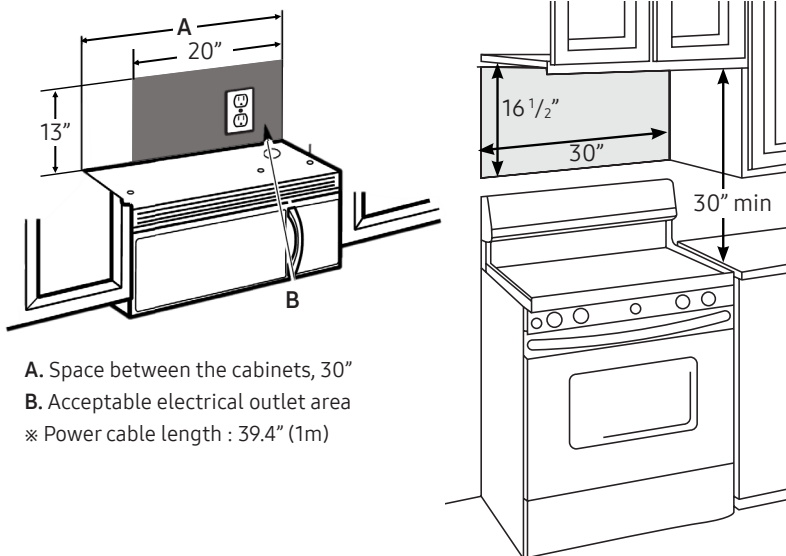
# SAMSUNG

## 1.7 cu. ft. Over-the-Range Microwave

### Dimensions



### Installation Specifications



- A. Space between the cabinets, 30"  
B. Acceptable electrical outlet area  
※ Power cable length : 39.4" (1m)

### Specifications:

Power Output: 1000 W  
Power Consumption: 1500 W/13A  
Power Source: 120v/60 Hz  
Plug Type: 3 prong plug  
Power Cord Length: 39 <sup>3</sup>/<sub>8</sub>"  
Control Method: Digital (membrane touch)  
Display: LED  
Cooking Control: 10 power levels including defrost  
Cooking Timer: Digital, up to 99 minutes, 99 seconds  
Microwave Distribution System: Turntable  
Vent Fan: 300 CFM  
Vent Fan Control: On/Off

### Warranty

One (1) Year Parts and Labour  
Five (5) Years Parts on Magnetron

### Product Dimensions & Weight (WxHxD)

Dimensions: 29 <sup>7</sup>/<sub>8</sub>" x 17 <sup>1</sup>/<sub>16</sub>" x 16 <sup>1</sup>/<sub>2</sub>"  
Dimensions (without filter): 29 <sup>7</sup>/<sub>8</sub>" x 15 <sup>5</sup>/<sub>8</sub>" x 16 <sup>1</sup>/<sub>2</sub>"  
Weight: 48.3 lbs (22 Kg)

### Shipping Dimensions & Weight (WxHxD)

Dimensions: 33 <sup>11</sup>/<sub>32</sub>" x 20 <sup>25</sup>/<sub>32</sub>" x 19 <sup>3</sup>/<sub>8</sub>"  
Weight: 55.1 lbs (25 Kg)

Colour	Model #	UPC Code
Stainless Steel	ME17R7011ES	887276528588
White	ME17R7021EW	887276528595

This microwave oven is designed for adaptation to the following three types of ventilation:

- A. Outside Top Exhaust (Vertical Duct)  
B. Recirculating (Non-Vented Ductless)  
C. Outside Back Exhaust (Horizontal Duct)

- The space between the cabinets must be 30" wide and free of obstructions.
- This microwave oven is for installation over ranges up to 36" wide.
- The microwave must be level. Use a level to make sure the cabinet bottom is level. If the cabinets have a front overhang only, with no back or side frame, install the mounting plate down the same distance as the front overhang depth. This will keep the microwave level.

FOR EASIER INSTALLATION AND PERSONAL SAFETY, WE RECOMMEND THAT TWO PEOPLE INSTALL THIS MICROWAVE OVEN.

IMPORTANT: Do not grip or use handle during installation.

NOTE: If your the power cord hole to prevent cutting of the cord.

NOTE: We recommend using filler blocks if the cabinet front below the cabinet bottom shelf.

IMPORTANT: If filler blocks are not used, case damage may occur from overtightening screws. NOTE: When mounting the microwave oven, thread power cord through hole in bottom of top cabinet. Do not pinch cord or lift oven by pulling cord.



# WF45T6000AW

SAMSUNG

Samsung Front Load Washer with Closet - Depth Design  
5.2 cu.ft. capacity IEC.



## Signature Features

### Self Clean+

Keeps your washer drum fresh and clean by eliminating 99% of bacteria<sup>1</sup>. Will also send a reminder to clean the drum every forty wash cycles.

### Closet-Depth

This washer fits within your existing laundry space without sacrificing any capacity thanks to our new, wider drum. A new control panel design provides better visibility so it's easy to use even when stacked.<sup>2</sup>

### VRT Plus™

Innovative VRT Plus™ technology reduces noise and vibration for quiet washing.

## Available Colors



White



Self Clean+



Closet-Depth

## Features

- Self Clean+
- Smart Care
- VRT Plus™ technology
- Swirl+ Drum Design
- Closet-Depth Fit<sup>2</sup>
- Stackability
- Direct Drive Motor
- LED Display: Ice Blue
- 24-Hour Delay End

## Convenience

- Child Lock
- Delay End
- Dispenser Trays: Main Wash, Softener, Bleach

## Rating



ENERGY STAR® - Rated  
CEE Tier 2  
IMEF = 2.92  
IWF = 2.9

<sup>1</sup>Based on testing by Intertek of the Self Clean+ cycle on the WF6000R.

<sup>2</sup>Designed to fit a 40" installation depth.

# WF45T6000AW

**SAMSUNG**

## Samsung Front Load Washer with Closet - Depth Design 5.2 cu.ft. capacity IEC.

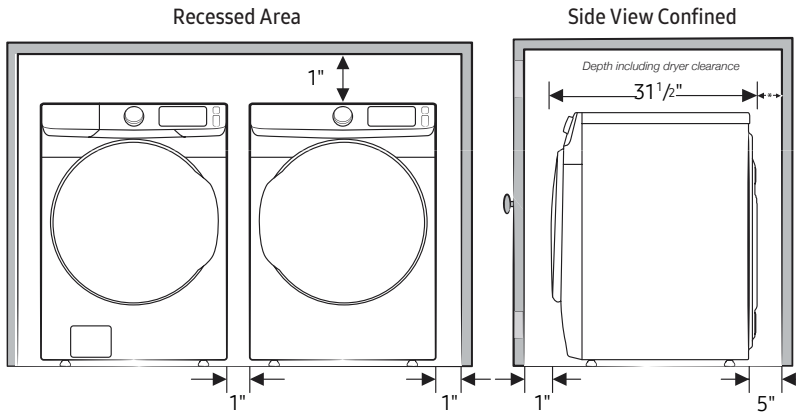
### Installation Specifications

If the washer and dryer are installed together or the dryer alone, the closet front must have two unobstructed air openings for a combined minimum total area of 72-inch<sup>2</sup> (see stacked build below). Your washer alone does not require a specific air opening.

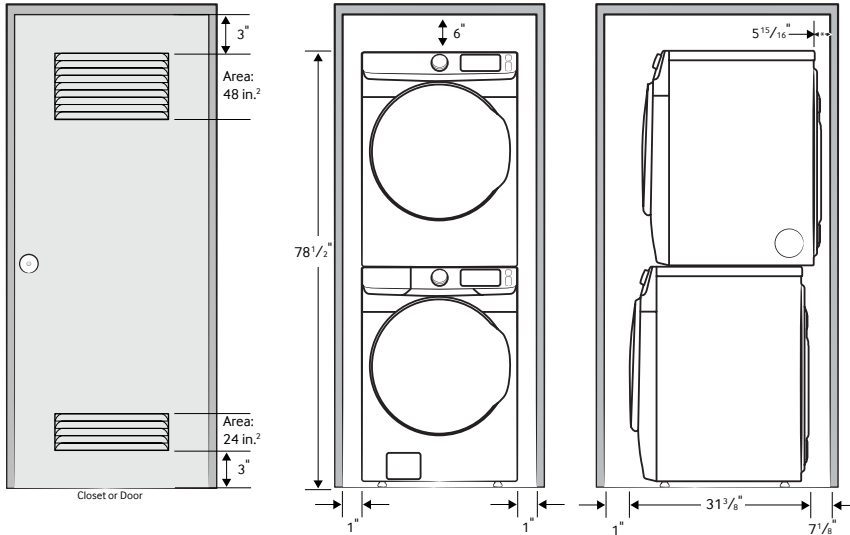
\* Required spacing (External exhaust elbow may require additional space.)

#### 1. Alcove or closet installation

Minimum Clearance for Closet and Alcove Installations:

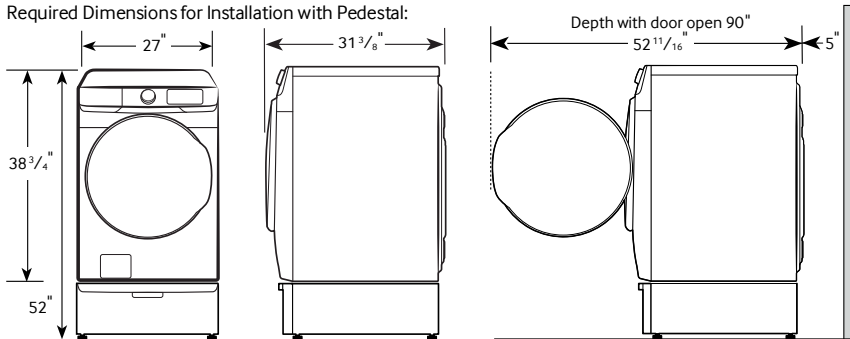


#### 2. With stacked washer and dryer



### Dimensions

Required Dimensions for Installation with Pedestal:



#### 10 Preset Washing Cycles:

Normal, Heavy Duty, Bedding, Quick Wash, Permanent Press, Delicates, Whites, Rinse and Spin, Self Clean+, Active Wear.

#### 7 Additional Washing Options:

Presoak, Delay End, Alarm Off, Child Lock, Smart Care, Spin Only

#### 5 Temperature Levels:

Hot, Warmer, Warm, Cool, Cold

#### 5 Spin Speeds:

High, Medium High, Medium, Low, No Spin

#### 5 Soil Levels:

Heavy, Medium Heavy, Normal, Medium Low, Light

#### Dispenser Trays:

Main Wash, Softener, Bleach

#### Warranty

One (1) Year Parts and Labor

Ten (10) Years Direct Drive Motor (Part Only)

#### Product Dimensions & Weight (WxHxD)

Dimensions: 27 x 38<sup>3</sup>/<sub>4</sub> x 31<sup>3</sup>/<sub>8</sub> inch  
Weight: 200 lb

#### Shipping Dimensions & Weight (WxHxD)

Dimensions: 29<sup>3</sup>/<sub>8</sub>" x 42<sup>3</sup>/<sub>8</sub>" x 34<sup>1</sup>/<sub>8</sub>"  
Weight: 205 lbs

Color	Model #	UPC Code
White	WF45T6000AW	887276394794

Matching Dryer	Model #	UPC Code
White	DVE45T6005W	887276387802

Pedestal	Model #	UPC Code
White	WE402NW	887276310152

Accessories	Model #	UPC Code
Stacking Kit	SKK-8K	887276344034

# DVE45T6005W

SAMSUNG

Samsung Front Load Electric Dryer with Sensor Dry  
7.5 cu.ft. Capacity DOE



## Signature Features

### Sensor Dry

Automatically optimizes the time and temperature of your drying cycle to protect your clothes from heat damage, while avoiding excess energy use.

### Smart Care

Easy troubleshooting from the convenience of your smartphone<sup>1</sup>. SmartCare interacts with your washer and dryer to perform an immediate diagnosis and offer quick solutions.

### Energy Star®

Save money by using less energy without sacrificing performance or functionality.

## Available Colors



White



Sensor Dry



Smart Care

## Features

- Sensor Dry
- Smart Care
- Interior Drum Light
- Reversible Door
- LED Display: Ice Blue

## Convenience

- Child Lock
- Lint Filter Indicator<sup>2</sup>

## Rating



ENERGY STAR® - Rated  
608 kwh/yr

<sup>1</sup>The Samsung Smart Washer/Dryer App is required and is available on Android and iOS devices. The Samsung Smart Washer/Dryer app supports Android OS 2.3.6 or later and iOS 3 or later for iPhone models. A Wi-Fi connection is required. Service callouts will occasionally be required and may incur extra repair costs.

<sup>2</sup>User will be solely responsible for any consequence(s) that may result, including but not limited to any damage or harm caused by incorrect information provided by the user.

# DVE45T6005W

**SAMSUNG**

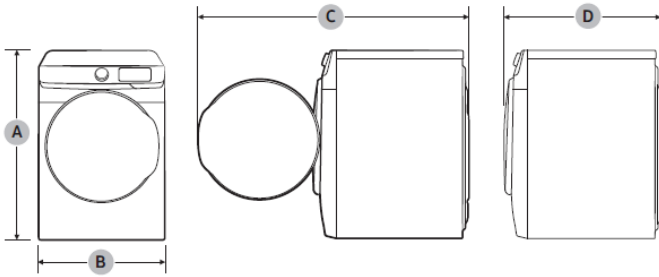
## Samsung Front Load Electric Dryer with Sensor Dry 7.5 cu.ft. Capacity DOE

### Installation Specifications

If the washer and dryer are installed together or the dryer alone, the closet front must have two unobstructed air openings for a combined minimum total area of 72-inch<sup>2</sup> (see stacked build below). Your washer alone does not require a specific air opening.

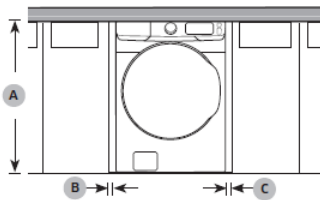
\* Required spacing (External exhaust elbow may require additional space.)

### DIMENSIONS



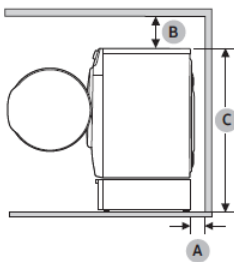
Type		Front loading dryer
Dimensions (in. (mm))	A. Overall height	38.7 (984)
	B. Width	27.0 (686)
	C. Depth with door open	52.6 (1335)
	D. Depth	31.5 (800)

### UNDER COUNTER INSTALLATION



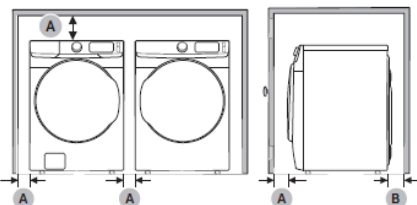
A	39.6 in. (1006 mm)
B	1 in. (25 mm)
C	1 in. (25 mm)

### PEDESTAL INSTALLATION

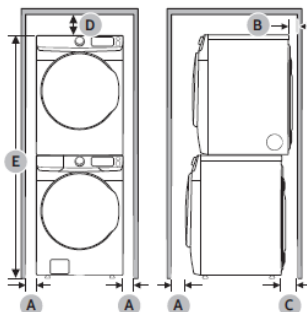


A	5.9 in. (150 mm)
B	6 in. (152 mm)
C	52.0 in. (1320 mm)

### SIDE BY SIDE INSTALLATION



### STACKED INSTALLATION



A	1 in. (25 mm)
B	5.9 in. (150 mm)
C	7.1 in. (180 mm)
D	6 in. (152 mm)
E	78.5 in. (1994 mm)

### 4-Way Venting

#### 10 Preset Drying Cycles:

Normal, Heavy Duty, Permanent Press, Bedding, Delicates, Time Dry, Air Fluff, Quick Dry, Sanitize, Wrinkle Release.

#### 9 Additional Drying Options:

Damp Alert, Wrinkle Prevent, Adjust Time (Up), Adjust Time (Down), Eco Dry, Child Lock, Smart Care, Alarm Off, Drum Light

#### 5 Temperature Levels:

High, Medium High, Medium, Medium Low, Low

#### 5 Dry Levels:

More Dry, Normal-More Dry, Normal Dry, Normal-Less Dry, Less Dry

### Warranty

One (1) Year Parts and Labor

### Product Dimensions & Weight (WxHxD)

Dimensions: 27 x 38<sup>3</sup>/<sub>4</sub> x 31<sup>1</sup>/<sub>2</sub> inch

Weight: 123 lb

### Shipping Dimensions & Weight (WxHxD)

Dimensions: 29<sup>3</sup>/<sub>8</sub>" x 42<sup>9</sup>/<sub>16</sub>" x 33<sup>1</sup>/<sub>2</sub>"

Weight: 130 lbs

Color	Model #	UPC Code
White	DVE45T6005W	887276387802

### Matching Washer

White	WF45T6000AW	887276394794
-------	-------------	--------------

### Pedestal

White	WE402NW	887276310152
-------	---------	--------------

### Accessories

Stacking Kit	SKK-8K	887276344034
--------------	--------	--------------